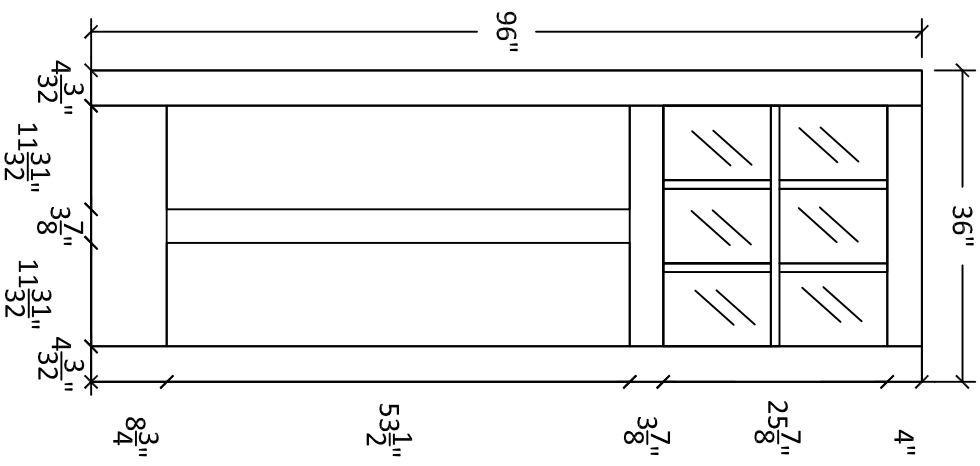
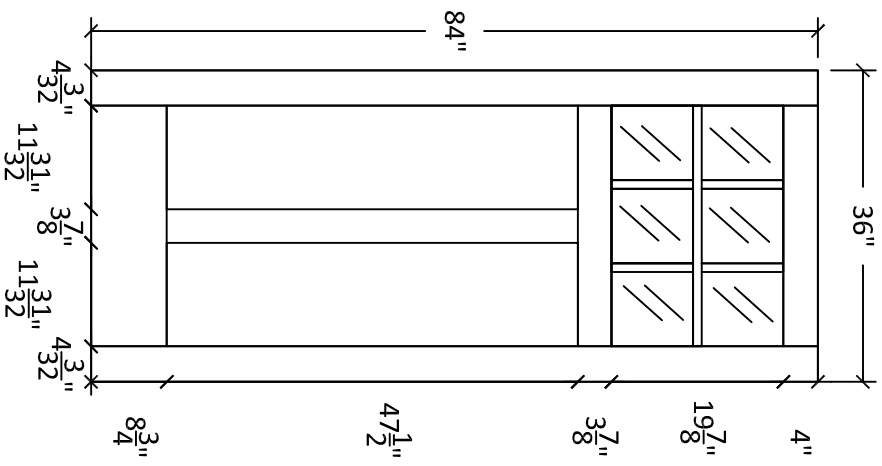
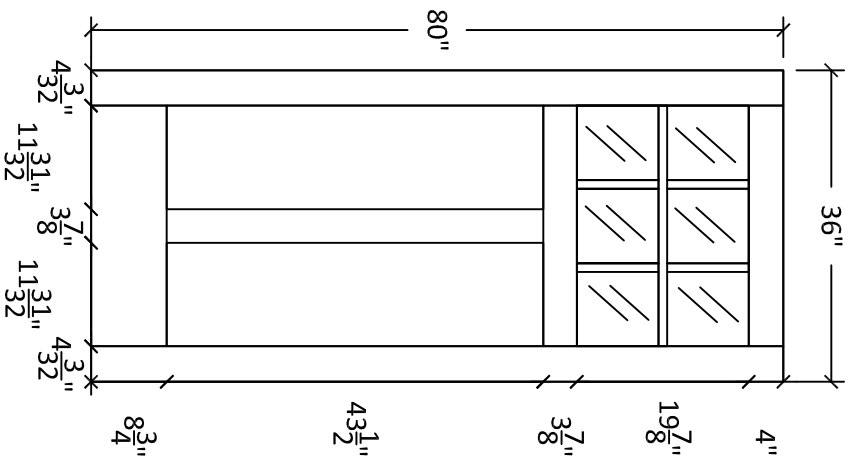
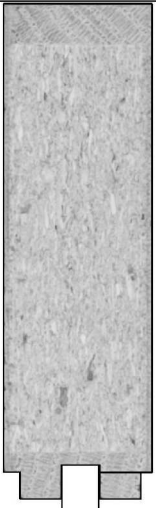


Made in U.S.A.

SL-3406



PROFILE 1203



PROFILE 5110



DOOR TYPE	MATERIAL DESCRIPTION

Project Title: _____

Project Number: _____

Project Address: _____

Project Phone: _____

Project E-Mail: _____

Contractor: _____

Sheet Title: _____

Project Fax: _____

Revisions:	No.	Date	By	Description

Scale: _____

Date Issued: _____

Sheet Number: _____